



Town of South Bristol
Code Enforcement Office
 6500 West Gannett Hill Road
 Naples, NY 14512-9216
 585.374.6341

Permit # _____
 Tax Map # _____

Gas, Geothermal and Solid Fuel Permit Application

Applicant _____

Mailing Address _____

Telephone _____ Email _____

Property Owner _____

Mailing Address _____

Telephone _____ Email _____

Contractor _____ Insurance attached

Mailing Address _____

Telephone _____ Email _____

Property Address _____

Tax Map # _____ Zone _____

New Replacement Repair

Coal Stove Pellet Stove Wood Stove Fireplace

Chimney Furnace Geothermal

Manufacturer _____ Installation instructions attached

Make _____ Model _____ Serial # _____

Will this be installed by a professional? Yes No

This installation must be inspected by the Code Enforcement Officer prior to being used.

Required Insurances

Contractors and sub-contractors must submit proof of liability, worker's compensation, and disability insurance. If you are a homeowner or contractor who is exempt, you must submit a signed and dated CE-200 Certificate of Attestation of Exemption.

Note: Applicant/Property Owner signature below indicates that the Applicant/Property Owner understands that they will be responsible for all outside consultant fees incurred as a result of the submitted application, and consents to these charges.

Applicant's Signature

Date

Application fee _____ CC/Check # _____ Cash _____ By _____ Date _____

Code Enforcement Officer's Section

Room Unit was Installed

Basement Livingroom Kitchen Other _____

Smoke Detector Yes No

C02 Detector Yes No

Fire Extinguisher Yes No

Temperature Alert Yes No

Clean Out Provided Yes No

Another Heat Source Yes No

Chimney

Metal Masonry Diameter Clay Flue

Triple Wall Double Wall Solid Insulated

Is chimney three (3) feet above peak? Yes No

Is it U.L. listed? Yes No

If yes, what is U.L. number? _____

Is chimney inside? Yes No

Is chimney outside? Yes No

Is chimney in good repair? Yes No

Is chimney properly supported? Yes No

Is there fire block? Yes No

Wood Stove

Is it U.L. listed? Yes No

Is it 36 inches from any combustibile surface? Yes No

Is flooring material non-combustible? Yes No

Is there an 18 inch non-combustible area around stove? Yes No

Fireplace

Is outside air provided? Yes No

Are glass doors provided? Yes No

Is hearth minimum of 18 inches? Yes No

Is combustibile material a distance from fire box? Yes No

Stove Pipes

Are three (3) sheet metal screws used per connection? Yes No

Is there a minimum of 18 inches from walls and ceiling? Yes No

Furnace

Are electrical connections proper? Yes No

Is this a combination unit? Yes No

Geothermal

Specifications attached? Yes No

Approved **Disapproved**

Code Enforcement Officer's Signature

Date

Wall Penetrations

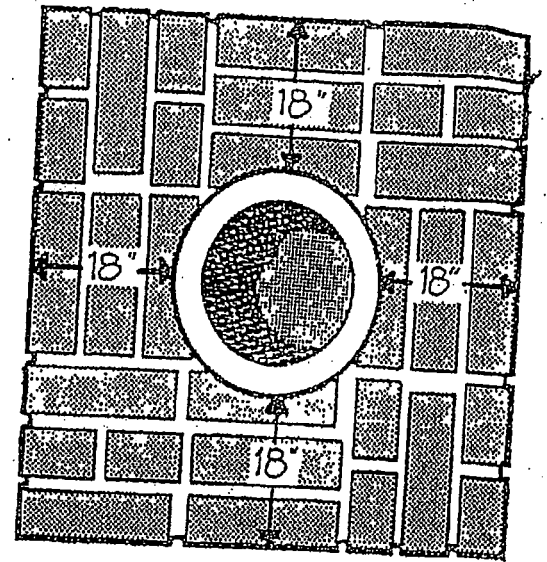
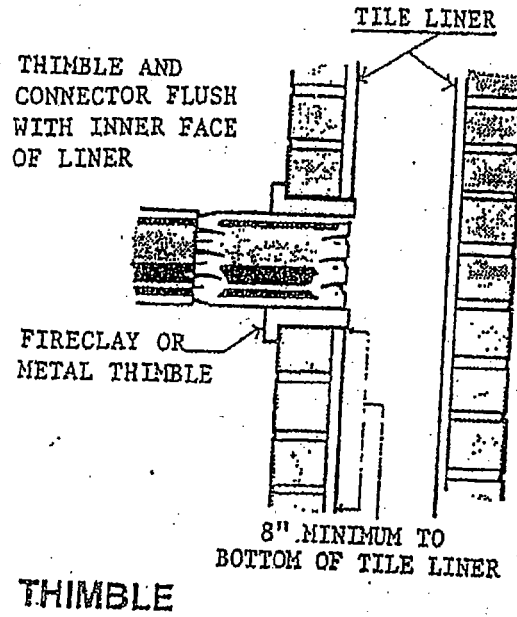
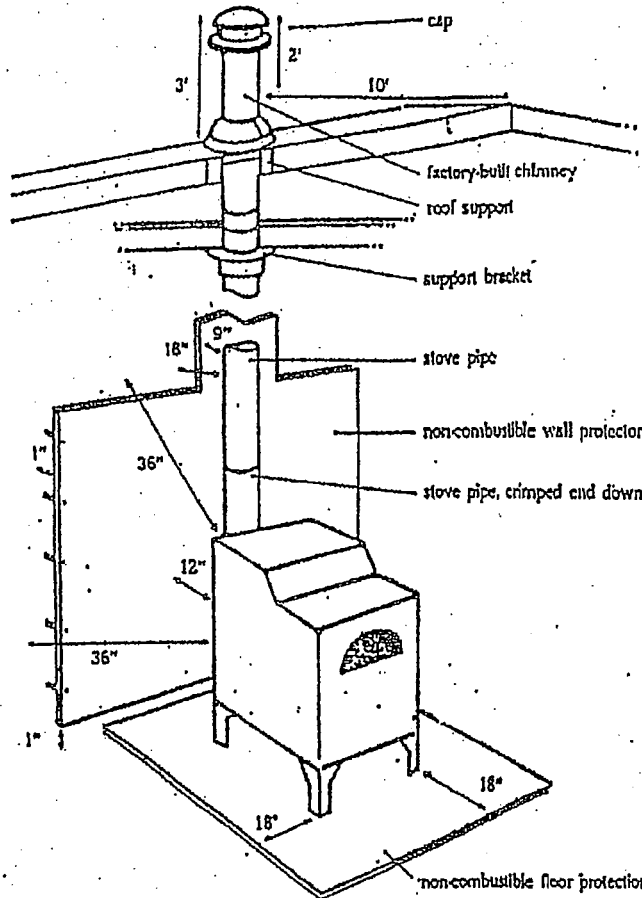


Figure 2.2-10

Courtesy Wood Heating Education and Research Foundation

Secondly - listed factory-built chimneys may be used to pass through combustible walls and chimneys if installed according to the conditions of the listing and the manufacturer's instructions. The Wood Heating Education and Research Foundation pointed out in their text materials that as of 1984 there was no manufacturer of a factory-built chimney listing a through-the-wall connection unless the connection was for a continuous factory-built chimney. A section of factory-built chimney used to penetrate a wall or partition and connected on both sides to stovepipe, or connected on one side to stovepipe and the other side to a masonry chimney are therefore not listed uses of factory built chimney sections. Although some authors suggest such arrangements, their use without proper listing is at this printing not recommended. Experience has indicated that such installations can result in leaking joints and sometimes additional creosote problems.

NFPA Minimum Clearances For Safe Installation



From:	Combustibles	With 3/4" masonry wall or 24 gauge sheet metal with 1" airspace
A. Listed Wood Heater		
Front	36"	12"
Side, Back	36"	12"
Top	36"	12"
B. Single Wall Connector Pipe (24 gauge or heavier)	18"	9"
C. Chimney Height	3 feet higher than roof; 2 feet higher than any part of roof within 10 feet (measured horizontally).	